



HIDRAER

ACUMULADOR ANTIPULSACION Pulsation damper

TIPO OLAER 20-350 bar

Design Features include:

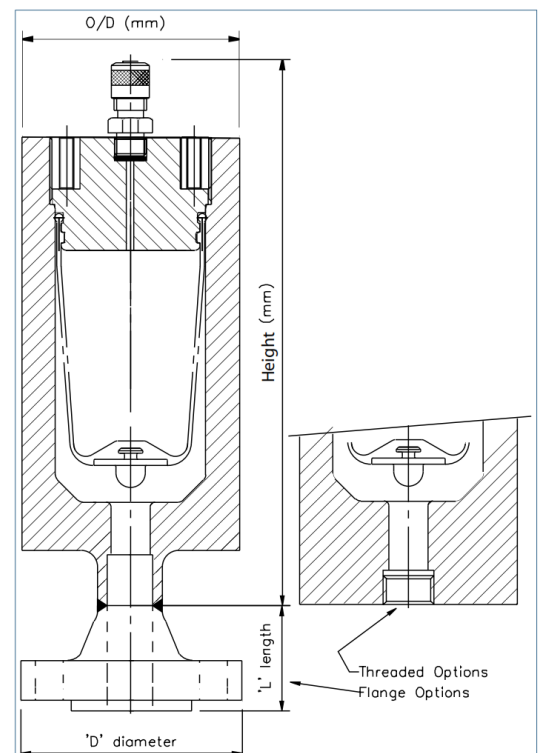
CE certified in accordance with the 2014/68/UE where applicable.
Manufactured from high grade Stainless Steel, other materials available.

- Nominal capacities 0.1 litre to 5 litres.
- Working pressures of up to 690 bar
- Wide range of separator materials available
- Designed to PD5500, ASME VIII Div 1 available as an option.
- Material certifications are available to EN10204 3.1 b
- Third party witness is available on request.
- NACE MR0175 compliance is available on request.

AP Range							
	Volume (litres)						
	0.1	0.25	0.5	1	2	3	5
Height (mm)	190	222	242	262	397	425	437
O/D (mm)	60	76	90	27	27	53	70
Weight (kg)	2.7	4.5	6	5	20	3	33
M.W.P. (bar)	350	300	250	80	80	250	20
BP Range							
	Volume (litres)						
	0.1	0.25	0.5	1	2	3	5
Height (mm)	202	236	272	290	426	448	472
O/D (mm)	76	102	27	46	46	70	190
Weight (kg)	5.4	2	2	27	37	52	55
M.W.P. (bar)	690	690	690	450	450	430	300

Optional Flange Available

Dimensions (mm)		Nominal Flange Sizes					
		½"	¾"	1"	1 ¼"	1 ½"	2"
150lb	Diameter "D"	88.9	98.4	107.9	7.5	27	52.4
	Length "L"	47.6	52.4	55.6	57.	61.9	63.5
	Weight (kg)	0.5	0.7	.	.5	.8	2.7
300lb	Diameter "D"	95.2	7.5	23.8	33.4	55.6	65.
	Length "L"	52.4	57.	61.9	65.	68.3	69.8
	Weight (kg)	0.8	.3	.7	2.2	3.2	3.6
600lb	Diameter "D"	95.2	7.5	23.8	33.4	55.6	65.
	Length "L"	52.4	57.	61.9	66.7	69.8	73
	Weight (kg)	0.9	.5	1.9	2.6	3.3	4.7
900lb	Diameter "D"	20.6	30.2	149.2	58.7	77.8	215.9
	Length "L"	60.3	69.8	73	73	82.5	0.6
	Weight (kg)	1.9	2.6	3.8	4.4	6.	.
1500lb	Diameter "D"	20.6	30.2	149.2	58.7	77.8	215.9
	Length "L"	60.3	69.8	73	73	82.5	0.6
	Weight (kg)	1.9	2.6	3.8	4.4	6.	.
500lb	Diameter "D"	33.3	139.7	58.8	84.2	203.2	235
	Length "L"	73	79	89	95		27
	Weight (kg)	3.6	4.	5.9	9	3	19





Model Numbers

AP 001 0 0001



Damper Type

AP = Standard Pressure
 BP = High Pressure
 CP = ASME Standard Pressure
 DP = ASME High Pressure
 EP = 'Special' Alternative Materials

Nominal Volume - Litres

00 = 0. 200 = 2
 025 = 0.25 300 = 3
 050 = 0.5 500 = 5
 00 =

Bladder Material

0 = NITRILE
 A = EPDM
 6 = VITON

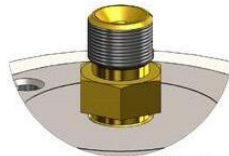
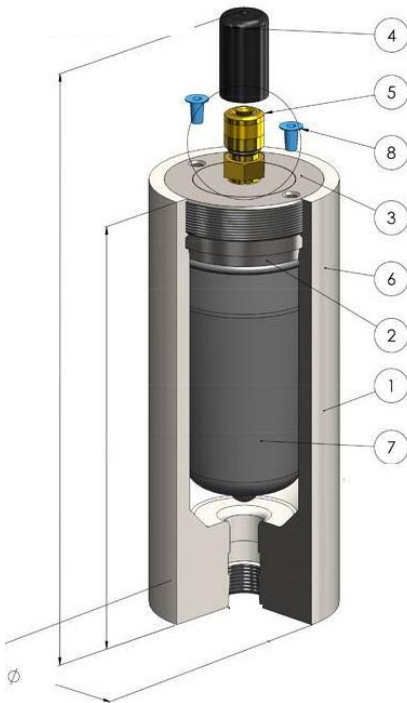
Other bladder materials available on request.

Fluid End Connection

000 = 1/2" BSP (F)
 0002 = 3/4" BSP (F)
 0003 = " BSP (F)
 0004 = 1/2" BSP (F)
 0005 = 1/2" NPT (F)
 0006 = 2" BSP (F)
 0007 = 3/4" NPT (F)

0010 = 1/2" 150 lb R/F Flange
 0011 = 1" 150 lb R/F Flange
 0012 = 1/2" 300 lb R/F Flange
 0013 = 1" 300 lb R/F Flange
 0016 = 2" 150 lb R/F Flange
 0032 = 2" 300 lb R/F Flange

Other thread and flange options available on request.



DESIGN CODE	BS5500
CE MARKED	YES PED 97/23/EC

ITEM NO.	DESCRIPTION	QTY.
1	SHELL BODY	1
2	SHELL HEAD	1
3	LOCK RING	1
4	BLACK PLASTIC DUST CAP	1
5	GAS VALVE	1
6	LABEL	1
7	BLADDER	1
8	PLASTIC HOLE COVER	1

